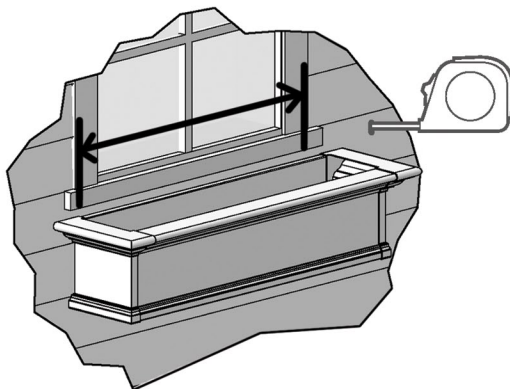


Supplemental Instructions for the Yorkshire Window Box Assembly:

The Yorkshire window box is available in 7 sizes from 2 foot up to 8 foot. However, not all windows are the same size so custom lengths may be required. The following information outlines the steps to cut your window box panels for a custom fit.

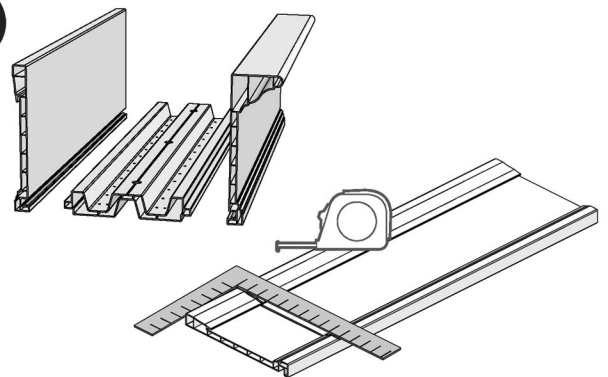
- Read instructions carefully before beginning assembly.
- For use with Mayne's Yorkshire Window Box collection.

1



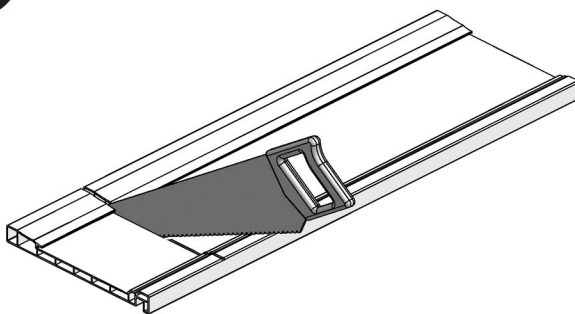
Dry fit the window box (pre-assemble "without" any glue). Hold the window box in the mounting location and measure the preferred width for the window box.

2



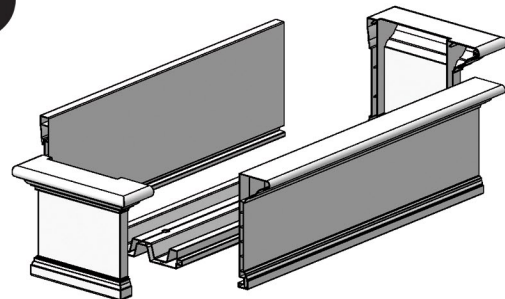
Take the front, back, and bottom panels and mark off the desired cut length using a marker and a straight edge. **Example:** You purchased a 3FT window box but your window width is only 32 inches. Simply cut 4 inches off each panel.

3



Using a fine toothed saw cut the panels to the desired length. If you choose to cut the panels with a jig saw or table saw be sure to install the proper blade for cutting plastic.

4



Check that all 3 panels have been cut to the exact same length then proceed with final assembly as directed in the Yorkshire Instruction sheet (MIS018).

For questions or concerns please email info@gomayne.com or call our customer service department toll free at **866-363-8834** (available Monday through Friday, 8am-5pm EST).